

Evolution Power supply 3-phase, primary switched IN: 360-520VAC OUT: 12-13,5V/20ADC

OUTPUT: 12...13.5 V DC

INPUT: 360...520 V AC / 480...745 V DC

Current: 20 A

Image

- stable output voltage, short-circuit and overload protected
- Wide voltage input
- touch protected (EN 60529) IP20

Vicarious picture

Input

Voltage range	3 × 324...572 V AC/480...745 V DC
Input current	3 × 0,8 A
Inrush current after 1 ms	<= 15 A
Primary fusing	max. 3 × 10 A
Frequency	50/60 Hz

Output

Output voltage	12 V DC (SELV), ±1 %; 12...13.5 V adjustable
Output current	20 A (+55 °C); 15.8 A (+70 °C)
Powerboost	+50 % (>= 4 sec.)
	90 %
Mains failure bridging	>= 19 ms (400 V AC)
Ripple	<= 50 mV rms
Spikes	<= 100 mV p-p
Protection	Short-circuit and overload protected
LED display	LED (green): OK; LED (red): overload
Parallel usage/serial usage	yes/yes
Alarm output	electronic relay max. 30 V DC/0.1 A, group alarm

General data

Standards	(EN 60950-1), (EN 61204-3), (EN 55022 B), (EN 61000-3-2)
Temperature range	-25...+70 °C (storage temperature -40...+85 °C)
Relative humidity	5...95 %, no condensation
Mounting method	DIN-rail mountable TH35 (EN 60715)
Dimensions H × W × D	132 x 93 x 114 mm

Commercial data

Net weight	1500
Net weight	1300
Weight unit	gram
Basic unit	pc.
Customs tariff number	85044090
Unit (piece)	1
Limited value	1

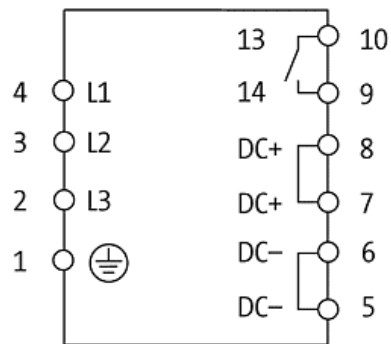
Comments

This switch mode power supplies meet the (EN 61000-3-2) standard for harmonic current.

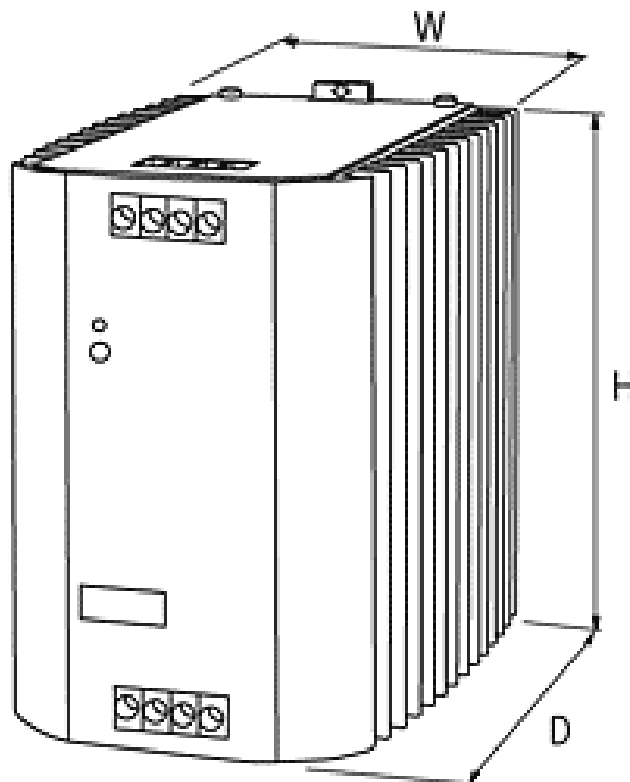
All data on this data sheet was compiled carefully.

Liability regarding correctness, completeness, and actuality is limited to gross negligence. Created: 06/12

Circuit diagram



Dimension drawing



Representante oficial de:



[Argentina – Uruguay – Paraguay – Bolivia – Colombia – y Perú.]



Calle 49 N° 5764 - Villa Ballester (B1653AOX) - Prov. de Buenos Aires - ARGENTINA
Tel: (+54 11) 4768-4242 / Fax: (+54 11) 4849-1212
Mail: ventas@nakase.com.ar / Web: www.nakase.com.ar

