

MEF EMC-Filter 3-phase 1-stage with neutral I:10A U:4x500 VAC

Current: 10 A

Image

- with neutral

Vicarious picture

Approvals**Technical Data**

Operating voltage	max. 3 × 500 V AC
Test voltage	L - N: 3.3 kV DC, 2 s; L - L: 3.1 kV DC, 2 s
Operating frequency	50...60 Hz
Consumption at 250 V AC	max. 15 mA
Overload current	18 × IN t < 0.5 ms; 1.5 × IN t < 1 min. (1 × per hour)
Connection diameter	0.2...10 mm ² single core (AWG 24...7); 0.2...6 mm ² multiple core (AWG 24...9)

General data

Climatic category	25/85/21 (EN 600068-1)
Mounting method	screw fixing, M6
Dimensions H × W × D	153 x 130 x 100 mm

Description

The 3-phase and one-stage EMC filters MEF 3/1 are used in the range 0.1...30 MHz and dampen interferences found in cables from the mains, supply units and control systems. They are suitable for TN-S, TN-C-S, and TT networks. The best results are obtained with short connection cables (suggestion: earth connection < 10 cm) of the largest possible cross-section. The EMC filters are bi-directional. They reduce symmetrical and asymmetrical interferences that regularly appear with electronically controlled three phase units through mains influences.

Commercial data

Net weight	1000
Net weight	1000
Weight unit	gram
Basic unit	pc.
Customs tariff number	85363010
Unit (piece)	1
Limited value	1

Accessories

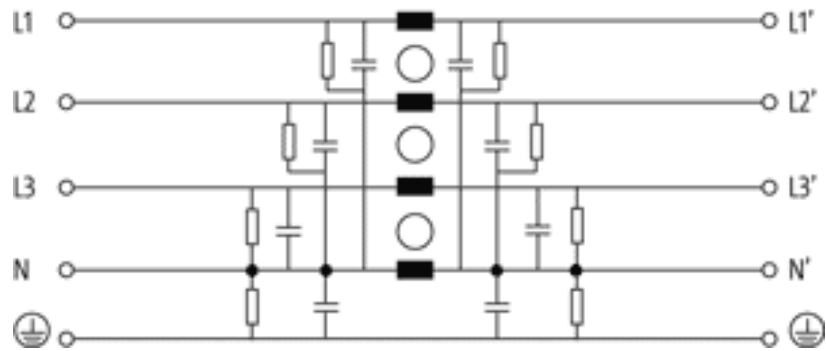
	Art.-No.
Grounding strip 16mm ² 200mm for M6 Tinned copper	4000-71001-1620006
Grounding strip 35mm ² 200mm for M6 Tinned copper	4000-71001-3520006

Comments

Attenuation curves on request.

All data on this data sheet was compiled carefully.

Liability regarding correctness, completeness, and actuality is limited to gross negligence. Created: 06/12

Circuit diagram

Representante oficial de:



[Argentina – Uruguay – Paraguay – Bolivia – Colombia – y Perú.]



Calle 49 N° 5764 - Villa Ballester (B1653AOX) - Prov. de Buenos Aires - ARGENTINA
Tel: (+54 11) 4768-4242 / Fax: (+54 11) 4849-1212
Mail: ventas@nakase.com.ar / Web: www.nakase.com.ar

