

TT 449

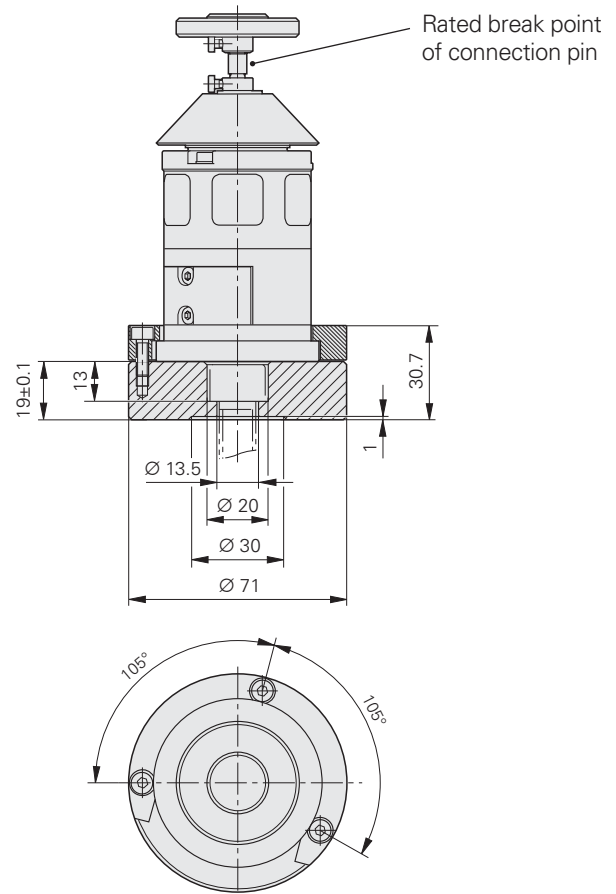
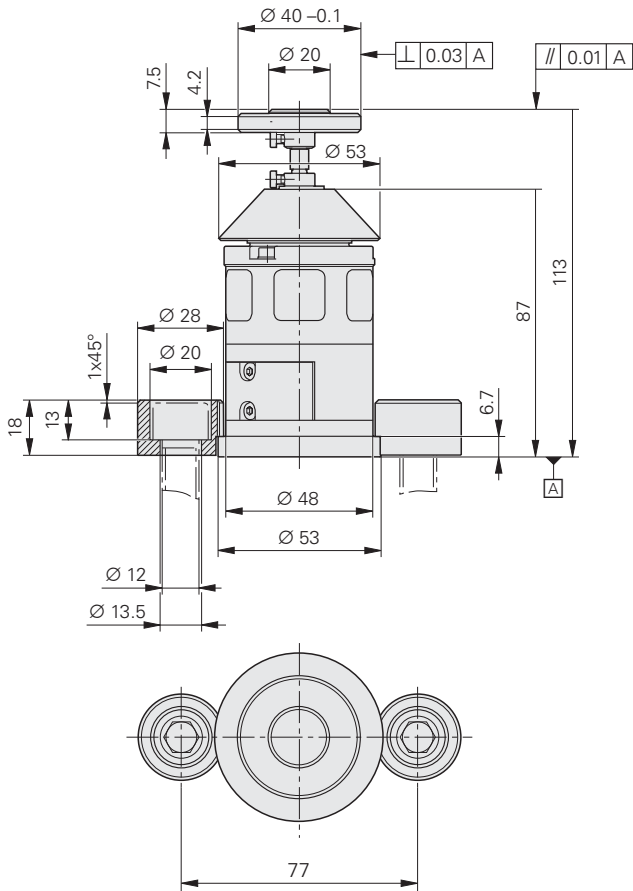
Tool Touch Probe with Infrared Transmission




Mounting with fixing clamps included in delivery



Fastening with mounting base accessory



mm

 Tolerancing ISO 8015
 ISO 2768 - m H
 < 6 mm: ±0.2 mm

Specifications	TT 449
Probe accuracy	≤ 15 µm
Probe repeatability Repeated probing from one direction	2 σ ≤ 1 µm at a probing velocity of 1 m/min <i>Typical values:</i> 2 σ ≤ 1 µm at a probing velocity of 3 m/min 2 σ ≤ 4 µm at a probing velocity of 5 m/min
Deflection of the probe contact	≤ 5 mm in all directions
Deflection force	<i>Axial:</i> approx. 8 N <i>Radial:</i> approx. 1 N
Probe contact*	Ø 40 mm or Ø 25 mm
Probe velocity	≤ 5 m/min
Protection EN 60529	IP 67
Operating temperature	10 °C to 40 °C
Storage temperature	-20 °C to +70 °C
Weight	Approx. 0.6 kg
Mounting on the machine table	<ul style="list-style-type: none"> • Fastening by fixing clamps (included in delivery) • Fastening with mounting base (accessory)
Signal transmission	Infrared transmission with 360° range
Transmission angle of infrared signal	0°
Transceiver unit	SE 642
TT switch-on/off	Infrared signal from SE 642
Power supply	2 batteries (rechargeable or nonrechargeable), size ² / ₃ AA or size N ¹⁾ each 1 V to 4 V
Operating time	Continuous duty typically 200 hours with lithium batteries 3.6V/1 200 mAh (included in delivery)

* Please select when ordering

¹⁾ Via adapter, included in delivery

Representante oficial de:



HEIDENHAIN

[Argentina – Bolivia – Chile – Colombia - Costa Rica – Ecuador - El Salvador –
Guatemala – Honduras – Nicaragua – Panamá – Paraguay – Perú -
República Dominicana – Uruguay – Venezuela.]



Calle 49 N° 5764 - Villa Ballester (B1653AOX) - Prov. de Buenos Aires - ARGENTINA
Tel: (+54 11) 4768-4242 / Fax: (+54 11) 4849-1212
Mail: ventas@nakase.com.ar / Web: www.nakase.com.ar

